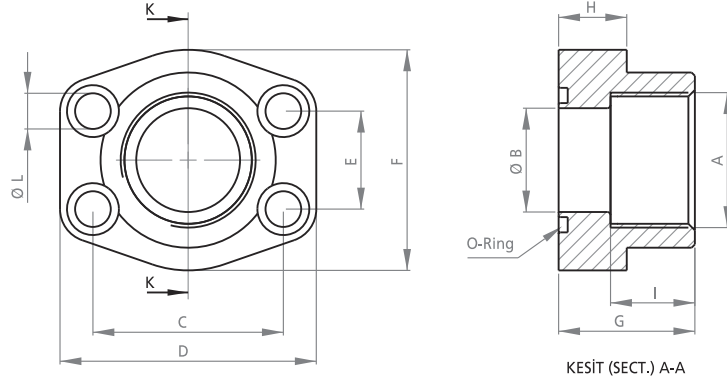




SAE BORU DİŞ, O-RİNGLİ POMPA ADAPTÖRÜ

SAE PIPE THREADED FLANGE MOUNTING WITH O-RING



SAE 3000 PSI

KOD CODE	A	B	C	D	E	F	G	H	I	L	M	O-RİNG O-RİNG
SAE 3001	R 1/2"	13	38.1	54	17.48	46	36	16	19	8.5	M 8X30	18.66X3.53
SAE 3002	R 3/4"	19	47.63	65	22.23	50	36	18	19	10.5	M 10X35	25X3.53
SAE 3003	R 1"	25	52.37	70	26.19	55	38	18	22	10.5	M 10X35	32.92X3.53
SAE 3004	R1 1/4"	32	58.72	79	30.18	68	41	21	22	10.5	M 10X40	37.7X3.53
SAE 3005	R1 1/2"	38	69.85	93	35.71	78	45	25	24	13	M 12X45	47.22X3.53
SAE 3006	R 2"	51	77.77	102	42.88	90	45	25	30	13	M 12X45	56.75X3.53
SAE 3007	R 2-1/2"	63	88.9	114	50.8	105	50	25	30	13	M 12X45	69.45X3.53
SAE 3008	R 3"	73	106.38	134	61.93	124	50	27	34	17	M 16X50	85.32X3.53
SAE 3009	R 3-1/2"	89	120.65	152	69.85	136	48	27	34	17	M 16X50	98.02X3.53
SAE 3010	R 4"	99	130.18	162	77.77	146	48	27	34	17	M 16X50	110.72X3.53
SAE 3011	R 5"	120	152.4	190	92.08	180	50	28	30	17	M 16X55	136.12X3.53

SAE 6000 PSI

KOD CODE	A	B	C	D	E	F	G	H	I	L	M	O-RİNG O-RİNG
SAE 6001	R 1/2"	13	40.49	54	18.24	46	36	16	19	8.5	M 8X30	18.66X3.53
SAE 6002	R 3/4"	19	50.8	71	23.8	55	35	21	22	10.5	M 10X35	25X3.53
SAE 6003	R 1"	25	57.15	81	27.76	65	42	25	24	13	M 12X45	32.92X3.53
SAE 6004	R1 1/4"	32	66.68	95	31.75	78	45	27	25	15	M 14X45	37.7X3.53
SAE 6005	R1 1/2"	38	79.38	112	36.5	94	50	30	28	17	M 16X50	47.22X3.53
SAE 6006	R 2"	51	96.82	134	44.45	114	65	37	30	21	M 20X65	56.75X3.53
SAE 6007	R 2 1/2"	63	123.8	165	58.70	152	80	45	45	25	M 24x75	69.45x3.53
SAE 6008	R 3"	73	152.4	208	71.40	178	90	50	55	32	M 30x80	85.32x3.53